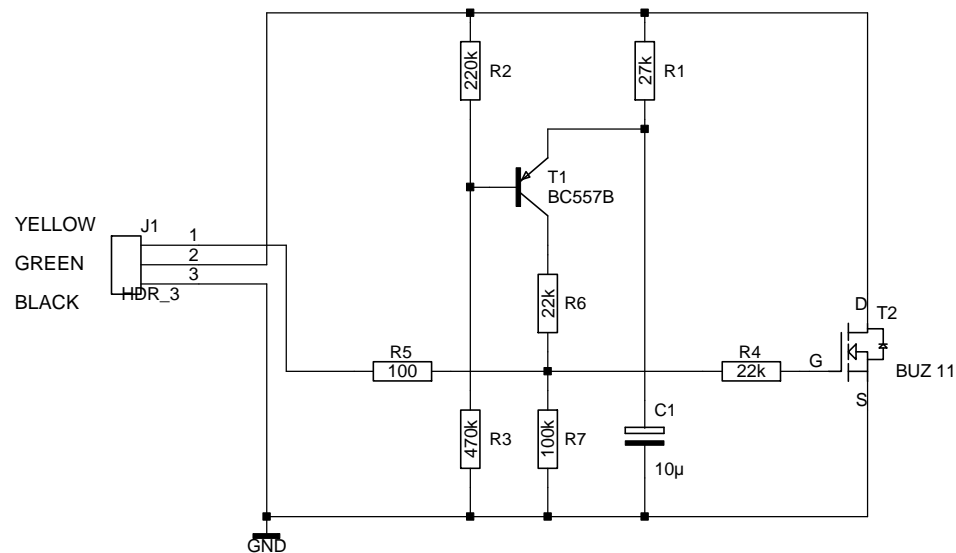


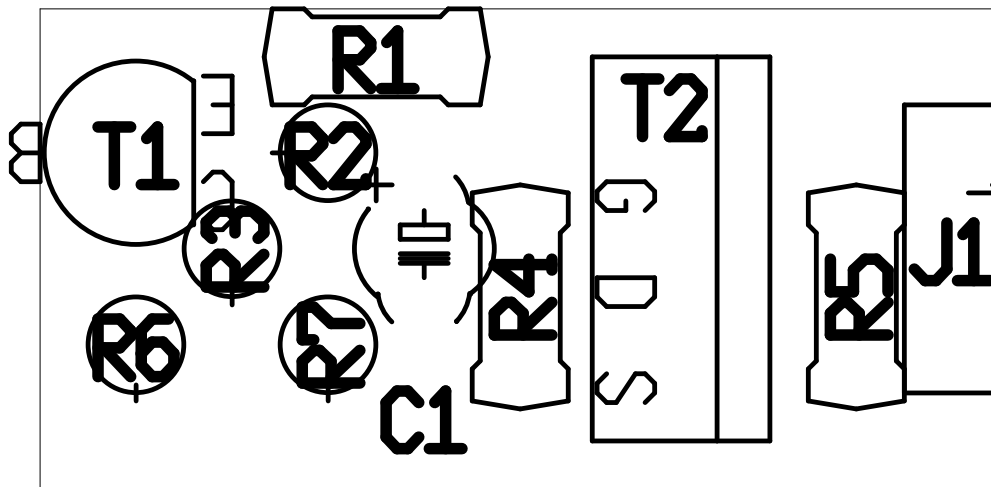
H1 STOP LAMP WARNING



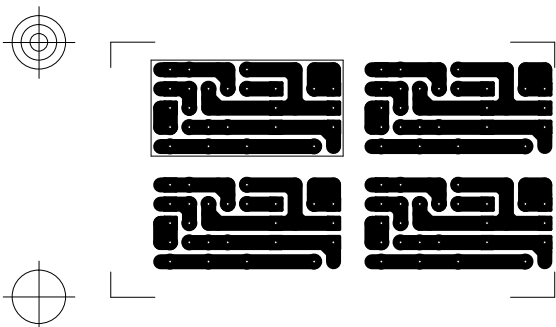
REV: 0	DATE: 21/08/2009	ENG: A.S.
PROJECT: KH LAMP WARN		
COMPANY: ACETRONICS		
ADDRESS: 7, IMPASSE DES MONTOIRS		
CITY: NESLE NORMANDEUSE		
COUNTRY: FRANCE		
INITIAL	21/08/2009	PAGE: 1 OF: 1



AceTronics
PCB Design



KH_LampWarn, Top (Sep. 08, 2009) (13:55) (PCB) SCALE: 500% ROTATED
Drill Ref Pnt: 0.093, 0.343 (inch)



KH_LampWarnx4, Bottom (Sep. 08, 2009) (13:56) (PCB) SCALE: 100% ROTATED
Drill Ref Pnt: 0.093, 0.343 (inch)